



ARK-C 30 L5
Powered by



- REFROIDI PAR EAU
- 3 PHASE
- 50 HZ
- DIESEL



GCARACTERISTIQUES GENERALES



		Prime ¹	Standby ²
Puissance	kVA / kW	25 / 20	28 / 22,4
Vitesse	r.p.m	1500	
Tension Standard	V	400/230VAC	
Facteur puissance	Cos Phi	0,8	

¹ **Puissance Principale (PRP)**

Disponible en continue sous charge variable pendant un nombre d'heure illimité par an en accord avec iso 8528-1. Une surcharge de 10 % toutes les 12 heures est permise lorsque la charge est variable pendant 24 heures.

² **Puissance Stand-by (ESP)**

Puissance Stand-by disponible pour une utilisation secours sous charge variable en accord avec ISO8528-1, pas de surcharge disponible dans ce service.

Arkent Jenerator détient les certificats suivants : ISO 9001:2015, CE, TS ISO8528-5, TS ISO 8528-13, TS ISO 8528-4, ISO 10002:2014, ISO 14001:2015, ISO 45001:2018, Noise Directive 2000/14/EC G3 class ISO 8528-5/15.10.2015 ISO 8528-13/13.04.2018

Les produits d'Arkent Generator sont fabriqués selon les normes CEE suivantes:

- Machinery Directive 2006/42/EC
- EN ISO 12100:2016
- Low Voltage Directive 2014/35/EU
- Noise Directive 2000/14/EC
- Controlgear & Switchgear TS ISO 8528-4 :2015
- Generating Sets TS ISO 8528-5 :2015
- Safety TS EN 12601 :2013



Spécifications du Moteur 1500 r.p.m.

Fabricant:	CUMMINS
Puissance (PRP) [kW]:	24,4
Modèle:	X2.5-G2
N° du Cylindres / Valves:	4
Type de Moteur:	4
Cylindrée Totale [lt]:	2,5
Type d'Aspiration:	Natural
Diamètre[mm] x Course[mm]:	91,4x127
Ratio de Compression:	18,5:1
Filtre à Air:	Heavy Duty
Système de Réfrigération:	Water Cooled (water + %50 antifreeze)
Quantité totale de liquide de refroidissement:	11
Régulateur:	Mechanical
Tension de Fonctionnement:	12VDC
courant du chargeur de batterie:	36
Capacité d'huile [lt]:	8
Débit gaz d'échappement (50 Hz/Prime) [m3/min]:	N/A
Température gaz d'échappement (50 Hz/Prime) [°C]:	≤660
Débit d'air de combustion [m3/min]:	39
Débit d'air de refroidissement [m3/min]:	0,78
Puissance du démarreur [kW]:	TBA
Tension de batterie standard [VDC]:	12
Capacité de la batterie standard [Ah]:	1x60Ah
Type de batterie standard:	Maintenance-Free Lead Acid

Fuel Consumption (lt/h):

%110 ESP	%100 PRP	%75 PRP	%50 PRP
6,5	6	4,8	3,5

(The specific gravity is 0.84 and the fuel is considered to be BS2869, Class A2.)

Alternator Data

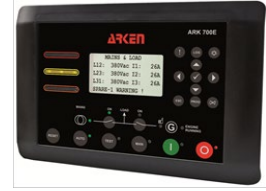
Brand:	LINZ
Model:	PRO18SB/4
Voltage:	400 /230 VAC
Number of Phase:	3
Power Factor:	0,8
Number of Poles:	4
Connection Type:	Star
Bearing:	Single
Insulation Class:	H
Protection Class:	IP23
Winding:	2/3
Control System:	Self Excited
Voltage Regulator:	Electronic AVR
Efficiency 4/4 400VAC 50Hz (cosφ=1):	89,4
Voltage Regulation:	±%1
THD:	<%5
Apparent Power [kVA] Prime 400VAC 50Hz 125°C/40°C:	25

Control Data

Control Device Specifications:

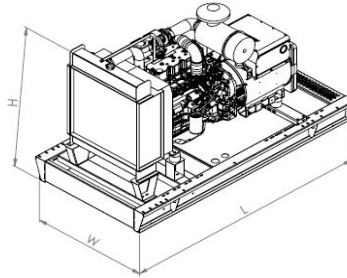
IISO8528-4
 IP44
 Trans-AMF Control Unit
 DSE Control Unit (Optional)
 Emergency Stop Button
 Battery Charger 5Amp
 Governor
 Connection Bus (Under Panel)
 Control Relays
 Thermal & Magnetic
 Protection (Optional)

- IP65 Front Panel
- Automatic/Manual/Test operation modes
- CanBus J1939 ECU
- 2nd Language Selection
- Last 500 incident and alarm information record
- Statistical Record
- Grid and Generator phase order control
- Grid Voltage Control
- RS-485 Communication
- GPRS - Ethernet connection (Optional)
- Automatic transfer switching control and motor control

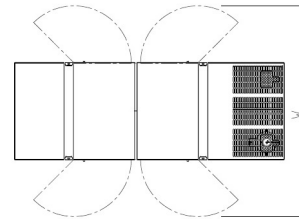
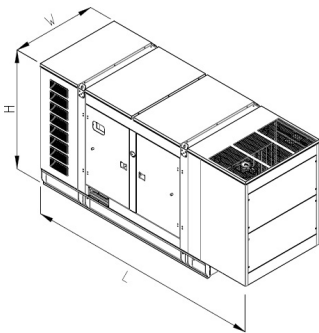


Dimensions & Weights

	L [mm] Length	W [mm] Widht	H [mm] Height	Dry Weight [kg]	Fuel Tank Capacity (lt)	Capacity (lt) Without Refueling	Sound Level dBA@7mt
Open Type	1530	900	1120	TBA	62	10,3	n/a



	L [mm] Length	W [mm] Widht	H [mm] Height	Dry Weight [kg]	Fuel Tank Capacity (lt)	Capacity (lt) Without Refueling	Sound Level dBA@7mt
Canopy Type	2055	960	1244	TBA	62	10,3	71,4



Door Widths

**W [mm]
Widht**
 2100

ENGINE

Arken Jenerator, provides industrial diesel engines that meet ISO 8528, ISO 3046 specifications; heavy duty type; oil, air or water-cooled depending on the requirements; low fuel consumption; with mechanical and/or electrical type of governor mounted on fuel pump to ensure precise speed adjustment and regulation; with oil, fuel and air filter system based on diesel type; oil and fuel designed for heavy operational conditions in order to make sure the unit lasts a long time with high performance; 4-stroke; direct injection with all the limit and level sensors required for diesel protection. The diesel engine is supplied with all the necessary equipment for safe operation. Only engines designed for standby are not included in the production portfolio.

ALTERNATOR

Arken Jenerator, uses original European brand alternators for its gensets, that complies with all international certificates, IEC 60034-1, ISO8528-3, EN55011, BS4999-5000 VDE 0530, depending on their power and requirements. The alternators, that has high efficiency and high performance for all conditions, have all the quality certificates and comply with world standards.

COOLING SYSTEMS

Arken Jenerator chooses its radiators from the original selection or from approved vendor list of its engine on boards for the purpose of usability, spare part availability, high performance and maximum efficiency.55C remote type radiators are applicable.

FRAME

Arken Jenerator manufactures its own chassis based on international standards for all generator sets. The frames are designed and manufactured to provide high strength from the inside of the plate panel or profile to the vibration and stresses.

FUEL TANK

Arken Jenerator uses an in-chassis daily fuel tank in generator sets up to 800kVA. Larger power sets are supplied with an external stand-type fuel tank. Fuel tanks can be manufactured from plate steel or other suitable materials in accordance with the relevant standards. Arken fuel tanks mainly include:

- * Tank vents
- * Fuel outlet valve
- * Fuel return connection
- * Tank drain plug
- * Sludge, etc. accumulation section
- * Transparent fuel level gauge
- * Floating level switch / Automatic Fill (Optional)

CANOPY

To provide sound isolation (ISO8528-10:1998) and to protect the generator from corrosive effects of external weather conditions, cabinets or containers are used depending on the size of the generator or the degree of sound intensity. Even low noise level is targeted principally, the cabins are designed in order to deliver stated power, in addition to the conditions set by ISO3046 and ISO8528, according to the tropical climate at 50C ambient temperatures, relative humidity of 30% at sea level is designed to deliver the declared power. Cabs come with a compact construction, low height, low sound level, easy access to the engine-alternator and control panel, lifting at two point , exhaust silencer stored in the cabin for safety and non-corrosion protection, and with ease of disassembly.

DOCUMENTATION

Maintenance and operation manual, Engine and alternator manuals, Controller booklet, Warranty sheet, Electrical diagram.

WARRANTY

The warranty period begins from the date of the invoice of the item and runs upto 1 Year or 1000 hours.